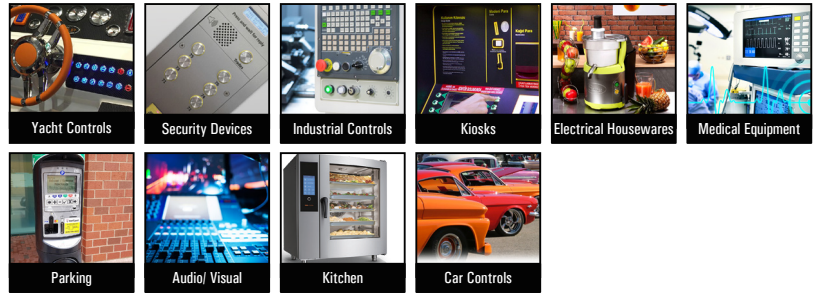
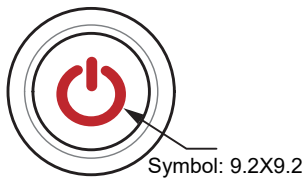
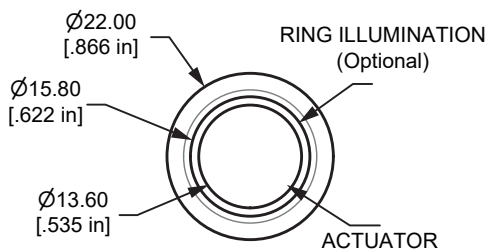
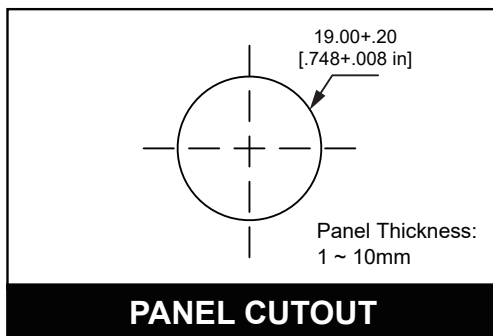


Micro-trip anti vandal switch $\varnothing 19\text{mm}$


APPLICATIONS / MARKETS

DESCRIPTION

PANEL CUTOUT

ORDER CODE

Series	Actuator Options	Terminal Options	Function Options	Material Options	Illumination Style Options	Led-Color Options	Illumination Voltage Options	Graphic Options
<input type="checkbox"/>	<input type="checkbox"/>	<input type="checkbox"/>	<input type="checkbox"/>	<input type="checkbox"/>	<input type="checkbox"/>	<input type="checkbox"/>	<input type="checkbox"/>	<input type="checkbox"/>
L19M Micro-trip	F- Flat	NONE- Solder-lug (2.8x0.5) N- Screw	M- Momentary 1- 1NO	S- Stainless steel	D- Dot illum. R- Ring illum. NONE- non-illum.	W- White Y- Yellow B- Blue G- Green R- Red O- Orange	NONE- Base voltage* 3.3V 6V 12V 24V 36V	NONE- Non-marking LE- Laser etched PS- Symbol translucent power only

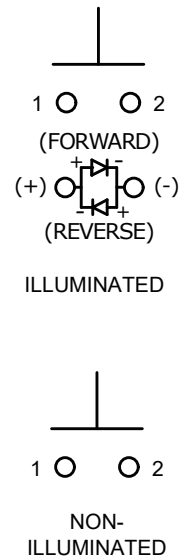
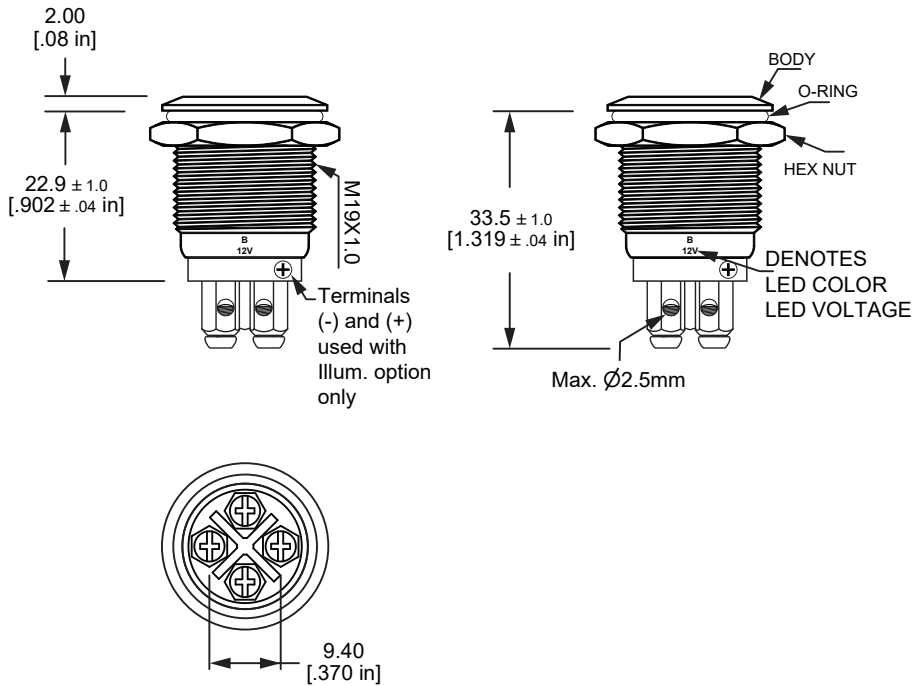
NOTES:
 * Base voltage on LEDs:
 1.8V @ 20mA for Red, Yellow and Orange LED colors
 2.8V @ 20mA for Blue, Green and White LED colors

TECHNICAL DATA

Type	L19M-F
Illuminated Options	Non-Illuminated/ Ring Illuminated/ Dot Illuminated
Terminal	Screw and Solder lug (2.8X0.8)
Max. Switch Rating	50mA 24VDC
Contact Resistance	$\leq 100\text{m}\Omega$
Insulation Resistance	$\geq 1000\text{m}\Omega$
Dielectric Strength	2000VAC
Operation Temp	-20°C ~ +55°C
Mechanical Life	1,000,000 Cycles
Electrical Life	50,000 Cycles
Contact Material	Silver Alloy
Rear Nut Fixing Torque	0.57Nm
Operation Pressure	approx. 8N
Protection	IP65/ IK09
Material	
Switch Assembly	UL94V-0 Rated Polyamide (Nylon)
Tags	Copper Alloy
Terminals	Copper Alloy
Switch Body & Button	Stainless Steel/ *Anodized Aluminum
Lens and Lens Body	Polycarbonate
Internal Seal	Silicone
O Ring	Nitrile
	LED
Color	3.3V/ 6V/ 12V/ 24V/ 36V R G Y O B W
	Approx, 40,000 hours

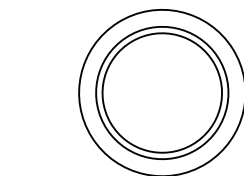
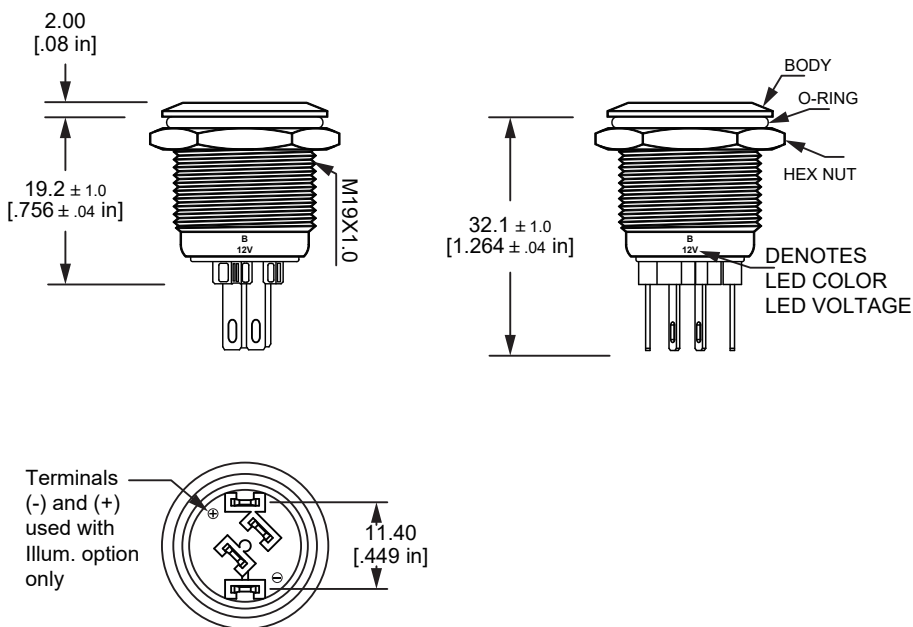
Micro-trip anti vandal switch $\varnothing 19\text{mm}$

SCREW TERMINAL

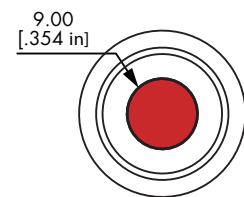


FUNCTIONS

SOLDER TERMINAL

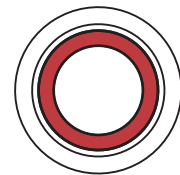


Non-illum.



9.00
[.354 in]

Dot-illum.



Ring-illum.

LENS OPTIONS